



INSTALLATION GUIDE

Tile Dry Verge T2

ALUMINIUM DRY VERGE



T: +353 (0) 74 91 39500 info@nwa.ie

www.nwa.ie





INSTALLATION GUIDE

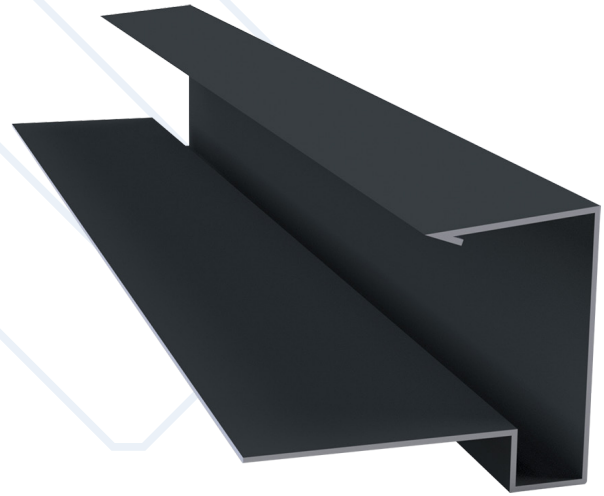
Tile Dry Verge T2

ALUMINIUM DRY VERGE

Product Details

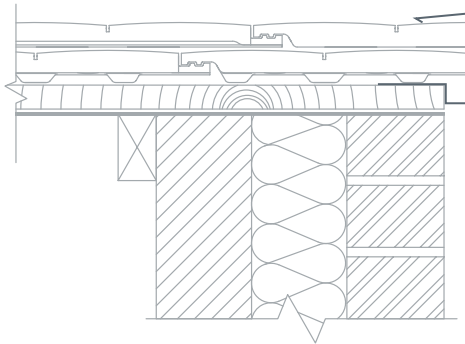
The Kytun Tile Dry Verge System permanently secures tiles on gable ends and gives an attractive maintenance free finish to the roofline. It provides a neat, continuous and totally weatherproof finish to the gable.

The components are manufactured from high grade pre-primed polyester coated aluminium, polyester coated galvanised steel & plastisol coated galvanised steel which produces textured finish.



Product Features

- Provides full wind uplift and rain protection.
- Patented 'Drip System' which allows for self drainage of rain water into the gutter.
- Extremely easy and quick to install.
- Requires no maintenance once installed.
- Can be fully customised.
- Extensive range of colours available.



Dimensions

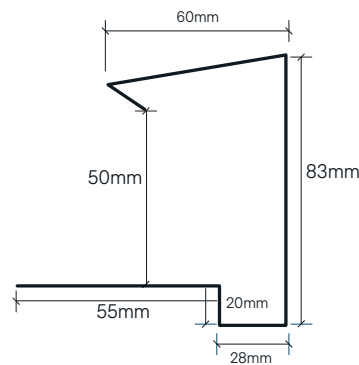
C08/C08S/C08L Tile Dry Verge: Aluminium

Overall length: 2400mm/3000mm

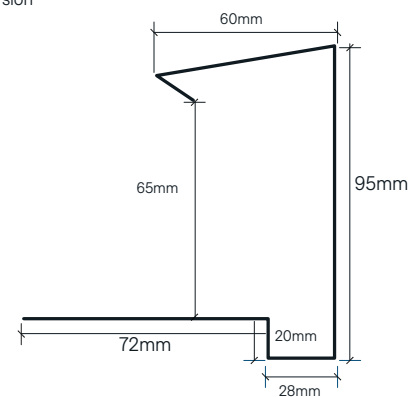
Code	Size	Colour	Pk Qty
C08S	50mm x 2.4m/3m	Blk • Blue/Blk • Brwn • Wht	4
C08	65mm x 2.4m/3m	Blk • Blue/Blk • Brwn • Wht	4
C08L	85mm x 2.4m/3m	Blk • Blue/Blk • Brwn • Wht	4
C08JS	50mm (Jointer)	Blk • Blue/Blk • Brwn • Wht	1
C08J	65mm (Jointer)	Blk • Blue/Blk • Brwn • Wht	1
C08JL	85mm (Jointer)	Blk • Blue/Blk • Brwn • Wht	1

Aluminium
Polyester Coated

C08 Tile Dry Verge also available in Galvanised Steel



50mm version



65mm version



T: +353 (0) 74 91 39500 info@nwa.ie

www.nwa.ie





INSTALLATION GUIDE

Tile Dry Verge T2

ALUMINIUM DRY VERGE



Fig 1a.

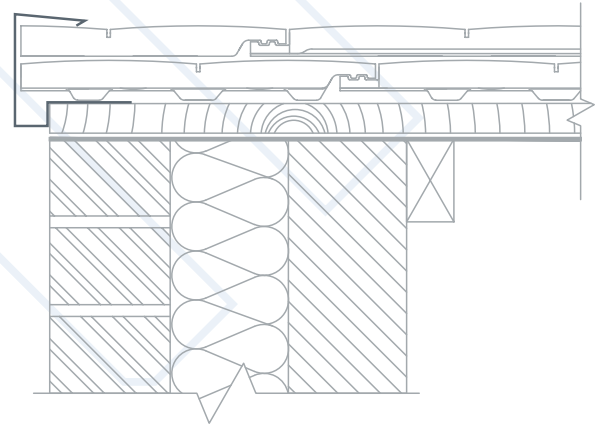


Fig 1b.

1. The underlay and battens are to be laid and cut flush with outer edge of gable wall or bargeboard. (Fig.1a & Fig.1b). The gutter position should be set up to allow the verge trim channel run into it.
2. Position the verge trim on top of the battens and align against the batten ends with the drip outside the batten end. Allow for construction detail. Ensure the C08 is fixed at every batten with 40mm long galvanised clout nail (Fig.2).



Fig 2.



Fig 3a.



Fig 3b.

3. The internal jointer system is then slid into the trim already fixed on the roof. The next piece of trim is slid over this and fixed into place as per step 2. This is then repeated for the remainder of the verge. A low modulus mastic sealant should then be ran over every joint waterproofing.





INSTALLATION GUIDE

Tile Dry Verge T2

ALUMINIUM DRY VERGE

4. At the Ridge apex after measuring plumb cut the Kytun Tile Dry Verge to meet each other. When in place affix the Kytun Apex Piece to finish the verge. (Fig.4)



Fig 4.

5. Fix roofing tiles as per manufacturer's instructions. Some nibs may need to be removed to fit around KYTUN C08 Tile Dry Verge. (Fig.5)



Fig 5.

